



Medical Exemption Application Form Procedure Notes

In accordance with section 167 of the Equality Act 2010 (“the Act”), Shropshire Council intends to publish a list of designated wheelchair accessible vehicles licensed by this authority on 1st November 2018.

Section 166 of the Act allows for drivers to apply for an exemption from the duties under section 165 of the Act on medical grounds or because the driver’s physical condition makes it impossible or unreasonably difficult for them to comply with those duties.

Drivers wishing to apply for an exemption from the duties under section 165 of the Act will be required to complete this application form.

- In order for your exemption application to be accepted you **must** ensure you send in the following information:
 - Completed application form
 - Completed Medical Exemption Certificate
 - Any additional supporting documentation to support your request for an exemption
- **Please note: if any part of the application form is incomplete the application will not be processed until such a time as all the information is provided.**
- Applications for a medical exemption from the duties will be referred to the Licensing Panel for determination.
- Once your application has been accepted you will receive an acknowledgement letter which will explain the next stage of the application process.

Medical Exemption Certificate to accompany Exemption Application Form under section 166 of Equality Act 2010 Guidance notes

Exemption, on the medical grounds, from the duties to assist wheelchair passengers in accordance with Section 165 of the Equality Act 2010

Section 165 imposes legal duties on the driver of a designated hackney carriage and private hire vehicle, which has been hired by or for a disabled person in a wheelchair, or by another person who wishes to be accompanied by a disabled person who is in a wheelchair.

The key components of Section 165 are summarised below:

- Hackney carriage/private hire drivers will be required to carry the passenger while in the wheelchair
- Hackney carriage/private hire drivers are prohibited from charging wheelchair-users an additional fare for a journey
- Hackney carriage/private hire drivers will be required to carry the passenger's wheelchair if the wheelchair-user chooses to sit in a passenger seat during the journey
- Hackney carriage/private hire drivers will be obliged to take such steps as are necessary to ensure that the wheelchair-user is carried in safe and reasonable comfort
- Hackney carriage/private hire drivers must provide reasonable levels of mobility assistance to the disabled passenger
- Hackney carriage/private hire drivers cannot refuse hires from wheelchair users

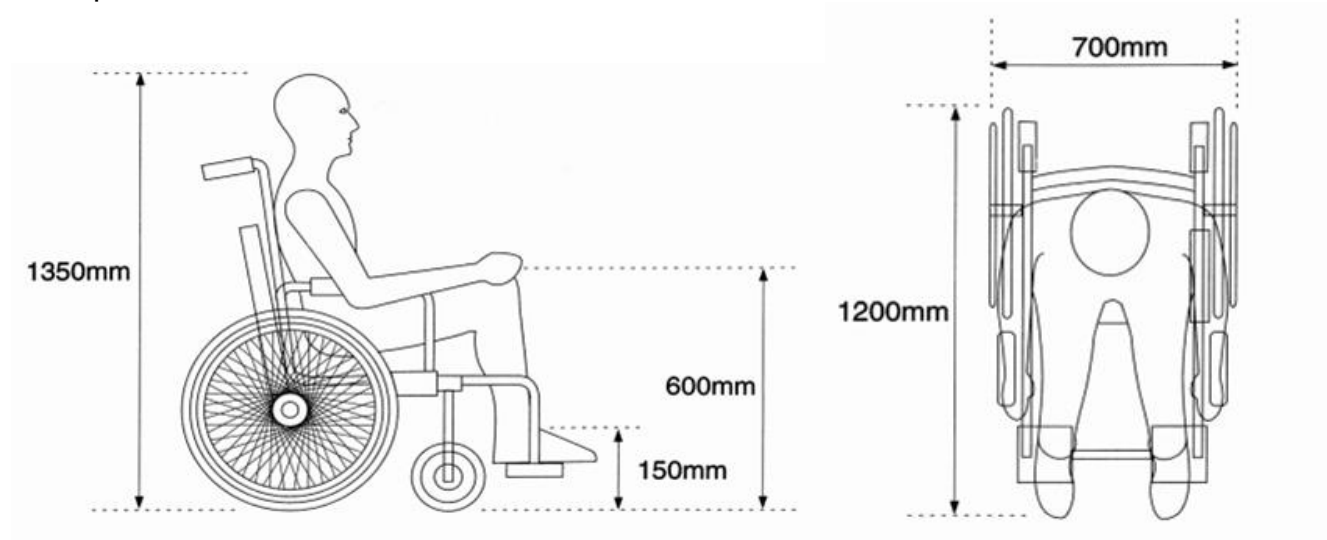
The Act defines mobility assistance as:

- to enable the passenger to get into or out of the vehicle
- where if the passenger wishes to remain in the wheelchair, to enable the passenger to get into and out of the vehicle while in the wheelchair
- to load the passenger's luggage into or out of the vehicle
- if the passenger does not wish to remain in the wheelchair, to load the wheelchair into or out of the vehicle

Please examine the applicant fully and complete the Medical Certificate section of this report.

Please ensure that you confirm the applicant's identity before the examination.

As there are numerous shapes and sizes of wheelchair this assessment should be based on the applicant's ability to perform the above with a 'reference wheel chair'. The Department for Transport consider a reference wheelchair to be as illustrated below:



After completion of the medical please send the Medical Exemption Certificate to the Licensing Team

Medical Exemption Certificate for Hackney Carriage/Private Hire Drivers

Name of Driver:

Date of Birth

Address:

- The applicant **does have** a medical condition or physical condition which would make it impossible or unreasonably difficult for them to provide physical assistance to persons in wheelchairs?
- The applicant **does not have** a medical condition or physical condition which would make it impossible or unreasonably difficult for them to provide physical assistance to persons in wheelchairs?

If the applicant does have medical condition or disability which would make it difficult for them to provide physical assistance to persons in wheelchairs, please give details of the condition/disability and for how long they cannot be undertaken (continue on a separate sheet if necessary). Please attach any relevant medical reports.

Is this a permanent condition? Yes / No

Is this a temporary condition? Yes / No

If 'Yes' please give date that, in your opinion, a Temporary Exemption should be granted until:

Please tick ✓ Yes

- I confirm that this report was completed at examination and that I am currently GMC registered and licensed to practice in the UK or I am a doctor who is registered to practice medicine within the EU, if the report was completed outside of the UK.
- I confirm that I have seen and consulted the applicant's original medical records and that all the details provided are correct.

Surgery Stamp:

Doctor's signature:

Doctor's name (please print):

GMC Registration Number:

Date of Examination: