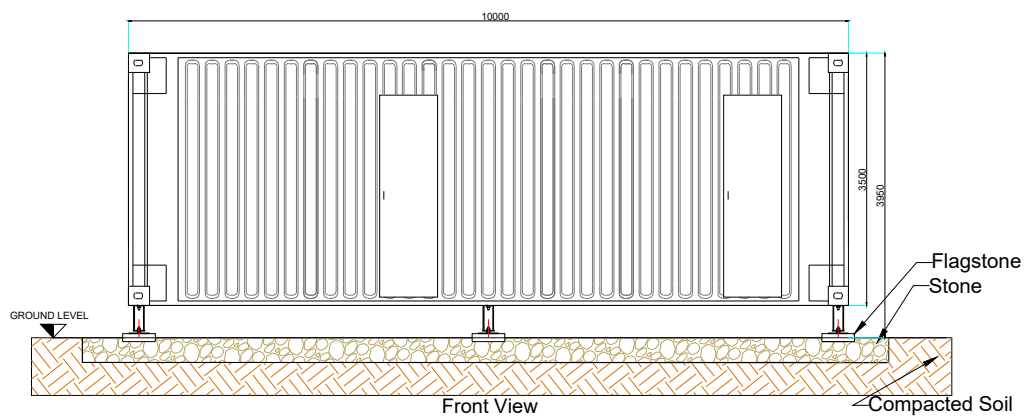


TECHNICAL DETAILS - CUSTOMER-SUBSTATION

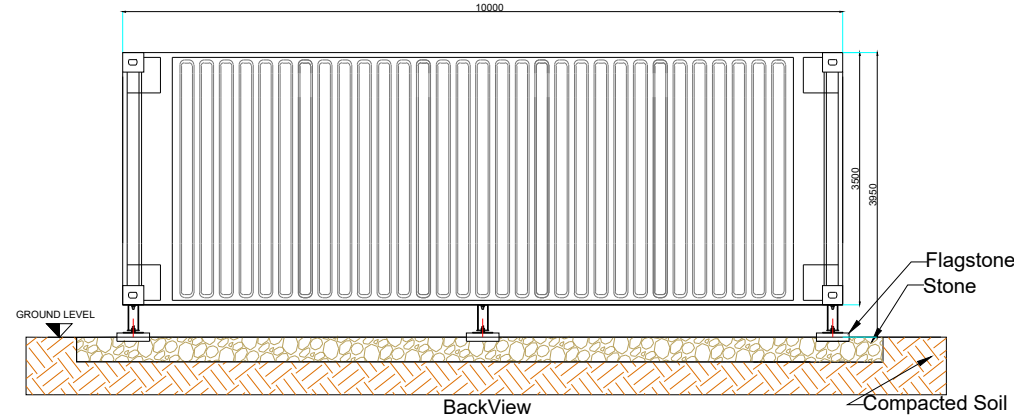
SCALE 1:100

FRONT VIEW SCALE 1: 100



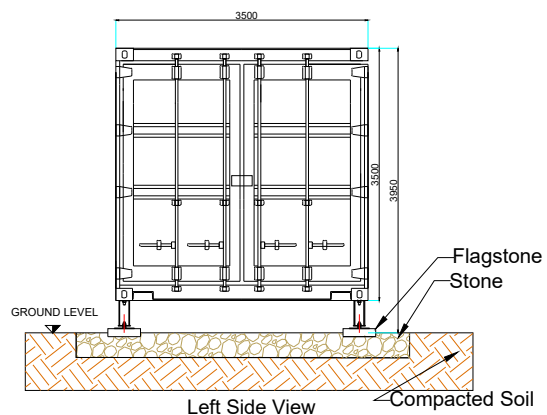
Front View

BACK VIEW SCALE 1: 100



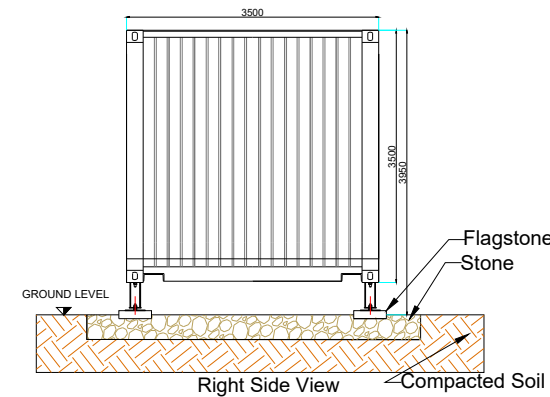
BackView

LEFT SIDE VIEW SCALE 1: 100



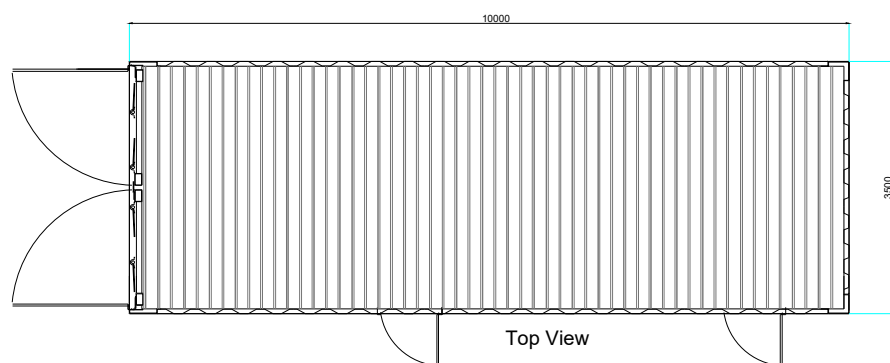
Left Side View

RIGHT SIDE VIEW SCALE 1: 100



Right Side View

PLAN VIEW SCALE 1: 100



Top View

\* All dimensions shown are in millimeters and are approximate \*

R0	SB	JR	JR	First Draft	04.04.2022
REV	DRAWN	REVIEWED	APPROVED	CHANGE	DATE

**GreenEnco**  
3 Allington Road,  
Harrow, HA2 6AJ.  
www.greenenco.co.uk

DRAWING TITLE: TECHNICAL DETAILS - CUSTOMER-SUBSTATION	DRAWING NUMBER: PL.006	APPROVAL STAMP:	SCALE: 1:100
PROJECT NAME & ADDRESS: Berrington Solar Project	CUSTOMER: <b>ecenergy</b> Powering renewables.	STATUS: PLANNING	FORMAT: DIN A3
			SHEET: 1/1

A3 - (420 x 297)mm